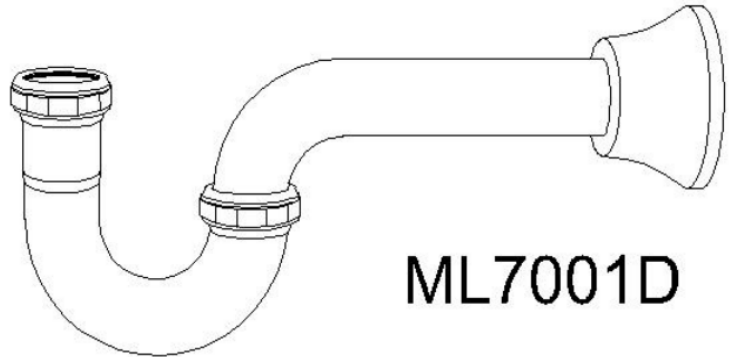




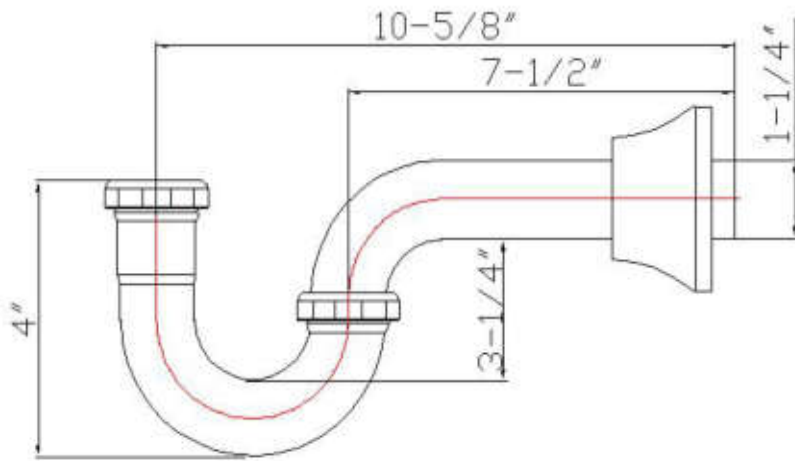
ML7001D 1-1/4" BRASS P-TRAP WITHOUT CLEANOUT

SPECIFICATIONS

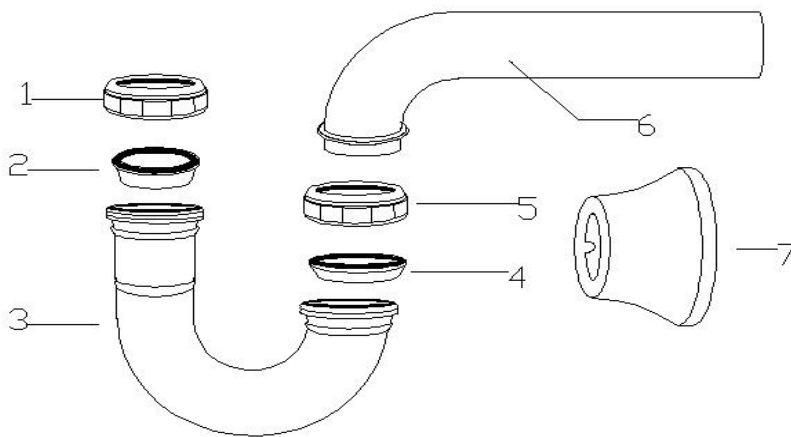
- Chrome Finish
- 1-1/4" P-Trap Without Cleanout
- Zinc Nut Kit
- Deep Bell Escutcheon
- Different Gauge or Parts Available



ML7001D



PART No.	Gauge
ML7001D	20 Gauge



No.	Part Name	Material
1	Nut	Zinc
2	Washer	Rubber
3	J-Bend	Brass
4	Washer	Rubber
5	Nut	Zinc
6	Wall Tube	Brass
7	Escutcheon	Steel